



## **LANBAO SENSOR** complete solution for the sensors

Established in 1998, Shanghai Lanbao Sensing Technology Co., Ltd. is a leading industrial automation products supplier in China. Our main businesses are industrial sensors R&D, production, sales and application, providing customers with standard and individual products and systems. Lanbao industrial sensors covers over 30 series, 3000 specifications, main products are inductive sensors, photoelectric sensors, capacitive sensors and pressure sensors. Lanbao has been making continuous breakthrough in new technology and new material application, which laid the foundation of its leading position in sensing technology.

Lanbao is an ISO9001:2008 quality management system and EU RoHS environmental directives implemented enterprise. Our series products are with CE, UL and CCC certification. The strict test in function, quality, reliability and production feasibility at the design stage of each product and the strict quality management in production ensure excellent quality products.

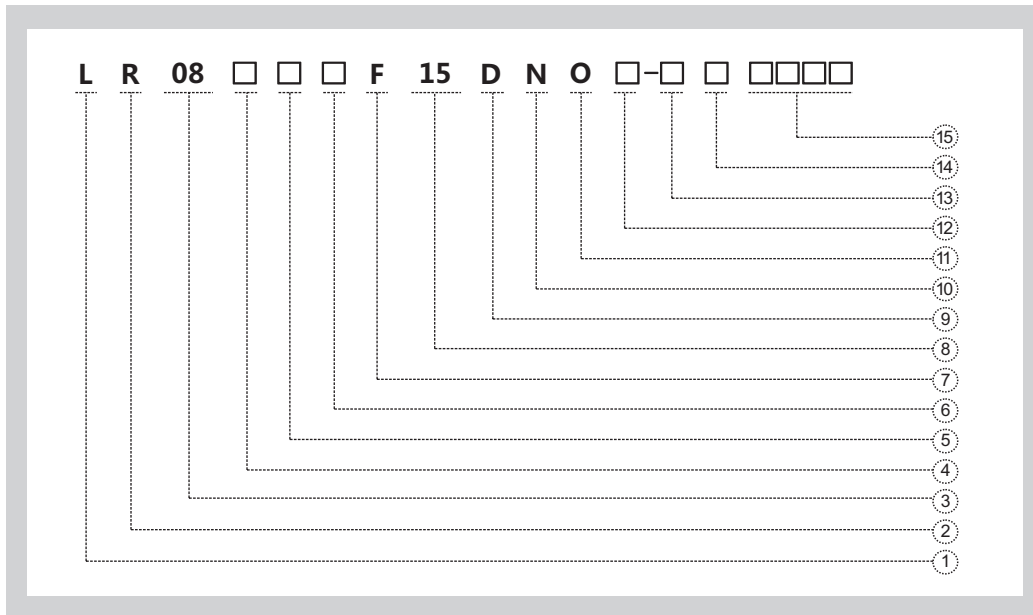
Focus on innovation, quality, service and global market, Lanbao insists on creating maximal value for customers.

## Standard function inductive sensors

- Non-contact detecting way effectively avoids abrasion, safe and reliable.
- Built-in ASIC ensures quick response, high frequency, stable performance.
- Complete range of specification:
  - Smooth cylinder series:  $\phi 4$  to  $\phi 34$ mm;
  - threaded cylinder series :M5 to M30mm;
  - rectangular series: 7\*7mm to 80\*80mm.



## Naming rules



### 1. Type Code

L:Inductive

### 2. Shape Code

R:Cylindrical  
E:Rectangular

### 3. Size Code

Number:Housing diameter  
e.g. 08:M8

### 4. Shape Code

Q:Smooth Cylindrical  
V:Angle Column  
Z:Combination  
H:Ring-shaped  
U:U-shaped  
X:Semi-thread

### 5. Housing Material

N/A:Copper  
S:Plastic  
G:Stainless Steel  
V:Aluminium

### 6. Housing Length

A:Short  
B:Standard  
C:Long

### 7. Mounting

N:Non-flush(nf)  
F:Flush(f)

### 8. Sensing Distance

02:2mm  
04:4mm  
10:10mm

### 9. Supply Voltage

A:20...250VAC  
B:90...250VAC  
C:380VAC  
D:10...30VDC  
E:10...60VDC  
F:8.2VDC  
G:5...60VDC  
L:15...30VDC  
H:20...30VDC  
I:10...40VDC  
J:5VDC  
S:20...250VAC/DC  
T:12...24VDC

### 10. Output Way

B:AC/DC 2 wires  
L:DC 2 wires  
T:AC 2 wires  
P:PNP  
N:NPN  
E:NPN/PNP  
F:NPN+PNP  
K:Relay

### 11. Output Status

A:NO/NC Reversible  
B:NO/NC Optional  
Cable Optional;Potentiometer optional  
O:NO  
C:NC  
R:NO+NC  
IU:Voltage+Current  
(0...10V,0...20mA)  
U:Voltage(0...10V)  
I:Current(0...20mA)  
I4:Current(4...20mA)

### 12. By Sensor Function

N/A:Standard function  
M:Analogue  
N:NAMUR  
W:High Temperature Resistant(-25°C...120°C)  
W1:Low Temperature Resistant(-40°C...70°C)  
W2:High Temperature Resistant(-25°C...100°C)  
B:High Pressure Resistant  
T:Speed  
Z:Self-Diagnosis  
Y:Extended Sensing Distance  
G:High Frequency  
Q:Metal Sensing Face  
A:Welding-immune  
K:EMI  
F:Detect Iron Object  
NF:Detect Non-Iron Object  
J:Rotation Speed

### 13. Cable Length

N/A:2m  
3M:3m

### 14. Connection

N/A:2M cable  
E1:M8 connector (3 pins)  
E2:M12 connector (4 pins)  
E3:M8 connector (4 pins)  
E4:M12 trapezoid connector (4 pins)  
E5:M12 connector (5 pins)  
D:Terminal

### 15. Special Requirement

In 4 Digits

## Wiring diagram

DC 2 Wires	Lead wire	M8 Connector	M12 Connector	Terminal connect
<b>NO</b>				
<b>NC</b>				
DC 3 Wires	Lead wire	M8 Connector	M12 Connector	Terminal connect
<b>NPN NO</b>				
<b>NPN NC</b>				
<b>PNP NO</b>				
<b>PNP NC</b>				
DC 4 Wires	Lead wire	M12 Connector	Terminal connect	
<b>NPN NO+NC</b>				
<b>PNP NO+NC</b>				
AC 2 Wires	Lead wire	M12 Connector	Terminal connect	
<b>SCR NO</b>				
<b>SCR NC</b>				

# Inductive sensors

AC/DC 2 Wires	Lead wire	M12 Connector	Terminal connect
<b>NO</b>			
<b>NC</b>			
<b>NO/NC</b>			

NAMUR	Lead wire	M8 Connector	M12 Connector	Terminal connect

Analog output	Lead wire	M12 Connector	Terminal connect
<b>3 Wires Voltage output</b>			
<b>3 Wires Current output</b>			
<b>4 Wires Voltage/current output</b>			

Remarks	M8 Connector	M12 Connector
<b>Connector</b>		

## Extended sensing distance

metal type

P.82

Model	Output	Supply Voltage	Mounting	Sensing Distance	Specifications	Housing Material	Connection
<b>DC 3/4 Wires</b>							P.82
LR04Q	DC 3 Wires	DC10-30V	f	1.5mm	Φ4*30	Stainless steel	Cable
LR04Q	DC 3 Wires	DC10-30V	f	1.5mm	Φ4*54	Stainless steel	M8 Connector
LR04XQ	DC 3 Wires	DC10-30V	f	1.5mm	Φ4*30	Stainless steel	Cable
LR05	DC 3 Wires	DC10-30V	f	1.5mm	M5*0.5*30	Stainless steel	Cable
LR05	DC 3 Wires	DC10-30V	f	1.5mm	M5*0.5*40	Stainless steel	M8 Connector
LR05X	DC 3 Wires	DC10-30V	f	1.5mm	M5*0.5*30	Stainless steel	Cable
LR6.5Q	DC 3 Wires	DC10-30V	f/nf	2mm,4mm	Φ6.5*40	Stainless steel	Cable
LR6.5Q	DC 3 Wires	DC10-30V	f/nf	2mm,4mm	Φ6.5*54	Stainless steel	M8 Connector
LR08	DC 3 Wires	DC10-30V	quasi-flush/nf	2mm,4mm	M8*1*40	Stainless steel	Cable
LR08	DC 3 Wires	DC10-30V	quasi-flush/nf	2mm,4mm	M8*1*54	Stainless steel	M8 Connector
LR08	DC 3 Wires	DC10-30V	quasi-flush/nf	2mm,4mm	M8*1*65	Nickel-copper alloy	M12 Connector
LR12X	DC 3 Wires	DC10-30V	quasi-flush/nf	4mm,8mm	M12*1*51	Nickel-copper alloy	Cable
LR12X	DC 3 Wires	DC10-30V	quasi-flush/nf	4mm,8mm	M12*1*63	Nickel-copper alloy	M12 Connector
LR12X	DC 3 Wires	DC10-30V	quasi-flush/nf	6mm,10mm	M12*1*61	Nickel-copper alloy	Cable
LR12X	DC 3 Wires	DC10-30V	quasi-flush/nf	6mm,10mm	M12*1*73	Nickel-copper alloy	M12 Connector
LR18X	DC 3/4 Wires	DC10-30V	quasi-flush/nf	8mm,12mm	M18*1*52	Nickel-copper alloy	Cable
LR18X	DC 3/4 Wires	DC10-30V	quasi-flush/nf	8mm,12mm	M18*1*63	Nickel-copper alloy	M12 Connector
LR18X	DC 3 Wires	DC10-30V	quasi-flush/nf	12mm,20mm	M18*1*62	Nickel-copper alloy	Cable
LR18X	DC 3 Wires	DC10-30V	quasi-flush/nf	12mm,20mm	M18*1*73	Nickel-copper alloy	M12 Connector
LR30X	DC 3/4 Wires	DC10-30V	quasi-flush/nf	15mm,22mm	M30*1.5*52	Nickel-copper alloy	Cable
LR30X	DC 3/4 Wires	DC10-30V	quasi-flush/nf	15mm,22mm	M30*1.5*63	Nickel-copper alloy	M12 Connector
LR30X	DC 3 Wires	DC10-30V	quasi-flush/nf	22mm,40mm	M30*1.5*62	Nickel-copper alloy	Cable
LR30X	DC 3 Wires	DC10-30V	quasi-flush/nf	22mm,40mm	M30*1.5*73	Nickel-copper alloy	M12 Connector
<b>DC 2 Wires</b>							P.93
LR12X	DC 2 Wires	DC10-30V	quasi-flush/nf	4mm,8mm	M12*1*61	Nickel-copper alloy	Cable
LR12X	DC 2 Wires	DC10-30V	quasi-flush/nf	4mm,8mm	M12*1*73	Nickel-copper alloy	M12 Connector
LR18X	DC 2 Wires	DC10-30V	quasi-flush/nf	8mm,12mm	M18*1*62	Nickel-copper alloy	Cable
LR18X	DC 2 Wires	DC10-30V	quasi-flush/nf	8mm,12mm	M18*1*73	Nickel-copper alloy	M12 Connector
LR30X	DC 2 Wires	DC10-30V	quasi-flush/nf	15mm,22mm	M30*1.5*62	Nickel-copper alloy	Cable
LR30X	DC 2 Wires	DC10-30V	quasi-flush/nf	15mm,22mm	M30*1.5*73	Nickel-copper alloy	M12 Connector
<b>AC 2 Wires</b>							P.96
LR12X	AC 2 Wires	AC20-250V	quasi-flush/nf	4mm,8mm	M12*1*61	Nickel-copper alloy	Cable
LR12X	AC 2 Wires	AC20-250V	quasi-flush/nf	4mm,8mm	M12*1*73	Nickel-copper alloy	M12 Connector
LR18X	AC 2 Wires	AC20-250V	quasi-flush/nf	8mm,12mm	M18*1*62	Nickel-copper alloy	Cable
LR18X	AC 2 Wires	AC20-250V	quasi-flush/nf	8mm,12mm	M18*1*73	Nickel-copper alloy	M12 Connector



# Inductive sensors

Model	Output	Supply Voltage	Mounting	Sensing Distance	Specifications	Housing Material	Connection
<b>AC 2 Wires</b>							P.96
LR30X	AC 2 Wires	AC20-250V	quasi-flush/nf	15mm,22mm	M30*1.5*62	Nickel-copper alloy	Cable
LR30X	AC 2 Wires	AC20-250V	quasi-flush/nf	15mm,22mm	M30*1.5*73	Nickel-copper alloy	M12 Connector
<b>AC/DC 2 Wires</b>							P.99
LR18X	AC/DC 2 Wires	AC/DC 20-250V	quasi-flush/nf	8mm,12mm	M18*1*62	Nickel-copper alloy	Cable
LR18X	AC/DC 2 Wires	AC/DC 20-250V	quasi-flush/nf	8mm,12mm	M18*1*73	Nickel-copper alloy	M12 Connector
LR30X	AC/DC 2 Wires	AC/DC 20-250V	quasi-flush/nf	15mm,22mm	M30*1.5*62	Nickel-copper alloy	Cable
LR30X	AC/DC 2 Wires	AC/DC 20-250V	quasi-flush/nf	15mm,22mm	M30*1.5*73	Nickel-copper alloy	M12 Connector

## Extended sensing distance combined type

P.101

Model	Output	Supply Voltage	Mounting	Sensing Distance	Specifications	Housing Material	Connection
<b>DC 3/4 Wires</b>							P.101
LE40SZ	DC 3/4 Wires	DC10-30V	f/nf	25mm,40mm	40*40*66	PBT	M12 Connector
LE40SZ	DC 3/4 Wires	DC10-60V	f/nf	25mm,40mm	40*40*66	PBT	M12 Connector
LE40XZ	DC 3/4 Wires	DC10-30V	f/nf	25mm,40mm	40*40*120	PBT	Terminal connect
LE40XZ	DC 3/4 Wires	DC10-30V	f/nf	25mm,40mm	40*40*120	PBT	M12 Connector
LE40XZ	DC 3/4 Wires	DC10-60V	f/nf	25mm,40mm	40*40*120	PBT	Terminal connect
LE40XZ	DC 3/4 Wires	DC10-60V	f/nf	25mm,40mm	40*40*120	PBT	M12 Connector
LE80XZ	DC 3/4 Wires	DC10-30V	f/nf	50mm,70mm	80*80*40	PBT	Terminal connect
LE80XZ	DC 3/4 Wires	DC10-30V	f/nf	50mm,70mm	80*80*40	PBT	M12 Connector
LE80XZ	DC 3/4 Wires	DC10-60V	f/nf	50mm,70mm	80*80*40	PBT	Terminal connect
LE80XZ	DC 3/4 Wires	DC10-60V	f/nf	50mm,70mm	80*80*40	PBT	M12 Connector
<b>DC 2 Wires</b>							P.106
LE40SZ	DC 2 Wires	DC10-30V	f/nf	25mm,40mm	40*40*66	PBT	M12 Connector
LE40SZ	DC 2 Wires	DC10-60V	f/nf	25mm,40mm	40*40*66	PBT	M12 Connector
LE40XZ	DC 2 Wires	DC10-30V	f/nf	25mm,40mm	40*40*120	PBT	Terminal connect
LE40XZ	DC 2 Wires	DC10-30V	f/nf	25mm,40mm	40*40*120	PBT	M12 Connector
LE40XZ	DC 2 Wires	DC10-60V	f/nf	25mm,40mm	40*40*120	PBT	Terminal connect
LE40XZ	DC 2 Wires	DC10-60V	f/nf	25mm,40mm	40*40*120	PBT	M12 Connector
LE80XZ	DC 2 Wires	DC10-30V	f/nf	50mm,70mm	80*80*40	PBT	Terminal connect
LE80XZ	DC 2 Wires	DC10-30V	f/nf	50mm,70mm	80*80*40	PBT	M12 Connector
LE80XZ	DC 2 Wires	DC10-60V	f/nf	50mm,70mm	80*80*40	PBT	Terminal connect
LE80XZ	DC 2 Wires	DC10-60V	f/nf	50mm,70mm	80*80*40	PBT	M12 Connector

# Inductive sensors / Extended sensing distance LR04Q/LR04XQ

10-30VDC 3 Wires

Item Code	LR04Q		LR04XQ	
Mounting	● Flush	● Flush	● Flush	
Sensing distance	1.5mm	1.5mm	1.5mm	

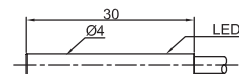
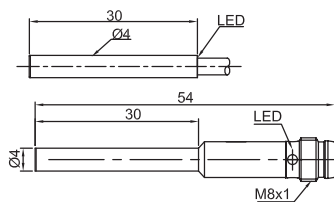


Output	NPN NO	LR04QAF15DNOY	LR04QAF15DNOY-E1	LR04XQAF15DNOY	
	NPN NC	LR04QAF15DNCY	LR04QAF15DNCY-E1	LR04XQAF15DNCY	
Output	PNP NO	LR04QAF15DPOY	LR04QAF15DPOY-E1	LR04XQAF15DPOY	
	PNP NC	LR04QAF15DPCY	LR04QAF15DPCY-E1	LR04XQAF15DPCY	

## Technical Parameter

Supply voltage	10...30 VDC	10...30 VDC	10...30 VDC	
Switch point drift	< ±10% Sr	< ±10% Sr	< ±10% Sr	
Load current	<100mA	<100mA	<100mA	
Voltage drop	<2.5V	<2.5V	<2.5V	
Consumption current	<10mA	<10mA	<10mA	
Hysteresis	1...20%	1...20%	1...20%	
Repeat accuracy	<3%	<3%	<3%	
Frequency	1200Hz	1200Hz	1200Hz	
Output indicator	Red LED	Red LED	Red LED	
Polarity protection	yes	yes	yes	
Dielectric strength	...	...	...	
Short-circuit protection	...	...	...	
Ambient temperature	-25...+70°C	-25...+70°C	-25...+70°C	
Ambient moisture	35...95%	35...95%	35...95%	
Protection degree	IP67	IP67	IP67	
Housing material	Stainless steel	Stainless steel	Stainless steel	
Connection	2m PUR Cable	M8 Connector	2m PUR Cable	
Certification	CE	CE	CE	

\* Cable material and length can be customized





Item Code	LR05		LR05X	
Mounting	● Flush	● Flush	● Flush	
Sensing distance	1.5mm	1.5mm	1.5mm	

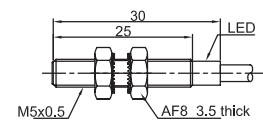
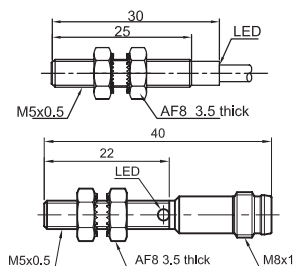


Output	NPN NO	LR05AF15DNOY	LR05AF15DNOY-E1	LR05XAF15DNOY	
	NPN NC	LR05AF15DNCY	LR05AF15DNCY-E1	LR05XAF15DNCY	
Output	PNP NO	LR05AF15DPOY	LR05AF15DPOY-E1	LR05XAF15DPOY	
	PNP NC	LR05AF15DPCY	LR05AF15DPCY-E1	LR05XAF15DPCY	

### Technical Parameter

Supply voltage	10...30 VDC	10...30 VDC	10...30 VDC	
Switch point drift	< ±10% Sr	< ±10% Sr	< ±10% Sr	
Load current	<100mA	<100mA	<100mA	
Voltage drop	<2.5V	<2.5V	<2.5V	
Consumption current	<10mA	<10mA	<10mA	
Hysteresis	1...20%	1...20%	1...20%	
Repeat accuracy	<3%	<3%	<3%	
Frequency	1200Hz	1200Hz	1200Hz	
Output indicator	Red LED	Red LED	Red LED	
Polarity protection	yes	yes	yes	
Dielectric strength	...	...	...	
Short-circuit protection	...	...	...	
Ambient temperature	-25...+70°C	-25...+70°C	-25...+70°C	
Ambient moisture	35...95%	35...95%	35...95%	
Protection degree	IP67	IP67	IP67	
Housing material	Stainless steel	Stainless steel	Stainless steel	
Connection	2m PUR Cable	M8 Connector	2m PUR Cable	
Certification	CE	CE	CE	

\* Cable material and length can be customized



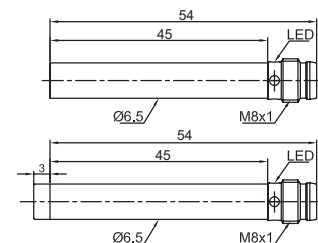
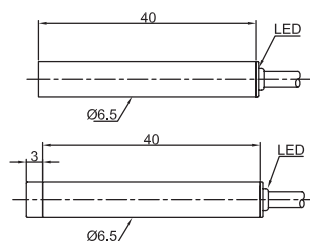
Item Code	LR6.5Q		LR6.5Q	
Mounting	● Flush	◐ Non-flush	● Flush	◐ Non-flush
Sensing distance	2mm	4mm	2mm	4mm



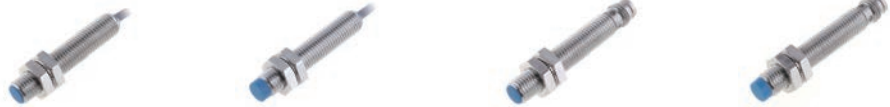
Output	NPN NO	LR6.5QBF02DNOY	LR6.5QBN04DNOY	LR6.5QBF02DNOY-E1	LR6.5QBN04DNOY-E1
	NPN NC	LR6.5QBF02DNKY	LR6.5QBN04DNKY	LR6.5QBF02DNKY-E1	LR6.5QBN04DNKY-E1
Output	PNP NO	LR6.5QBF02DPOY	LR6.5QBN04DPOY	LR6.5QBF02DPOY-E1	LR6.5QBN04DPOY-E1
	PNP NC	LR6.5QBF02DPCY	LR6.5QBN04DPCY	LR6.5QBF02DPCY-E1	LR6.5QBN04DPCY-E1

Technical Parameter				
Supply voltage	10...30 VDC	10...30 VDC	10...30 VDC	10...30 VDC
Switch point drift	< ±10% Sr	< ±10% Sr	< ±10% Sr	< ±10% Sr
Load current	<150mA	<150mA	<150mA	<150mA
Voltage drop	<2.5V	<2.5V	<2.5V	<2.5V
Consumption current	<10mA	<10mA	<10mA	<10mA
Hysteresis	1...20%	1...20%	1...20%	1...20%
Repeat accuracy	<3%	<3%	<3%	<3%
Frequency	1000Hz	800Hz	1000Hz	800Hz
Output indicator	Yellow LED	Yellow LED	Yellow LED	Yellow LED
Polarity protection	yes	yes	yes	yes
Dielectric strength	...	...	...	...
Short-circuit protection	yes	yes	yes	yes
Ambient temperature	-25...+70°C	-25...+70°C	-25...+70°C	-25...+70°C
Ambient moisture	35...95%	35...95%	35...95%	35...95%
Protection degree	IP67	IP67	IP67	IP67
Housing material	Stainless steel	Stainless steel	Stainless steel	Stainless steel
Connection	2m PVC Cable	2m PVC Cable	M8 Connector	M8 Connector
Certification	CE	CE	CE	CE

\* Cable material and length can be customized



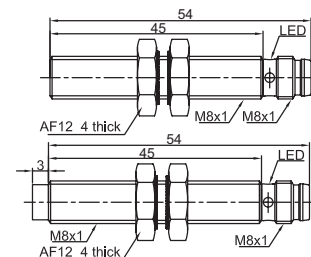
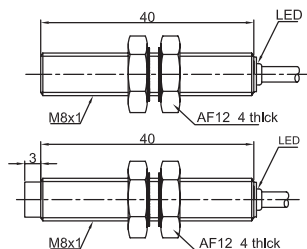
Item Code	LR08		LR08	
Mounting	● Quasi-flush	◐ Non-flush	● Quasi-flush	◐ Non-flush
Sensing distance	2mm	4mm	2mm	4mm



Output	NPN NO	LR08BF02DNOY	LR08BN04DNOY	LR08BF02DNOY-E1	LR08BN04DNOY-E1
	NPN NC	LR08BF02DNCY	LR08BN04DNCY	LR08BF02DNCY-E1	LR08BN04DNCY-E1
Output	PNP NO	LR08BF02DPOY	LR08BN04DPOY	LR08BF02DPOY-E1	LR08BN04DPOY-E1
	PNP NC	LR08BF02DPCY	LR08BN04DPCY	LR08BF02DPCY-E1	LR08BN04DPCY-E1

Technical Parameter				
Supply voltage	10...30 VDC	10...30 VDC	10...30 VDC	10...30 VDC
Switch point drift	< ±10% Sr	< ±10% Sr	< ±10% Sr	< ±10% Sr
Load current	<150mA	<150mA	<150mA	<150mA
Voltage drop	<2.5V	<2.5V	<2.5V	<2.5V
Consumption current	<10mA	<10mA	<10mA	<10mA
Hysteresis	1...20%	1...20%	1...20%	1...20%
Repeat accuracy	<3%	<3%	<3%	<3%
Frequency	1500Hz	1000Hz	1500Hz	1000Hz
Output indicator	Yellow LED	Yellow LED	Yellow LED	Yellow LED
Polarity protection	yes	yes	yes	yes
Dielectric strength	...	...	...	...
Short-circuit protection	yes	yes	yes	yes
Ambient temperature	-25...+70°C	-25...+70°C	-25...+70°C	-25...+70°C
Ambient moisture	35...95%	35...95%	35...95%	35...95%
Protection degree	IP67	IP67	IP67	IP67
Housing material	Stainless steel	Stainless steel	Stainless steel	Stainless steel
Connection	2m PVC Cable	2m PVC Cable	M8 Connector	M8 Connector
Certification	CE	CE	CE	CE

\* Cable material and length can be customized

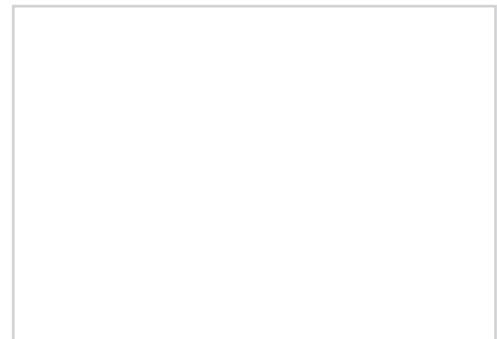
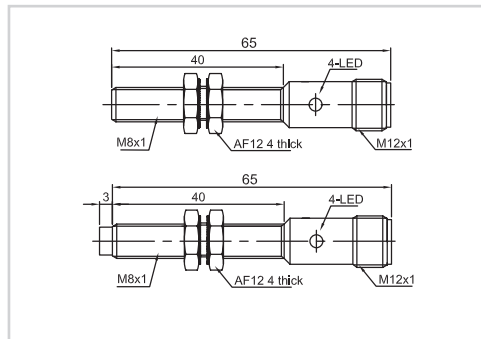


Item Code	LR08	
Mounting	● Quasi-flush	◐ Non-flush
Sensing distance	2mm	4mm



Output	NPN NO	LR08BF02DNOY-E2	LR08BN04DNOY-E2
	NPN NC	LR08BF02DNCY-E2	LR08BN04DNCY-E2
Output	PNP NO	LR08BF02DPOY-E2	LR08BN04DPOY-E2
	PNP NC	LR08BF02DPCY-E2	LR08BN04DPCY-E2

Technical Parameter	
Supply voltage	10...30 VDC
Switch point drift	< ±10% Sr
Load current	<150mA
Voltage drop	<2.5V
Consumption current	<10mA
Hysteresis	1...20%
Repeat accuracy	<3%
Frequency	1500Hz
Output indicator	Yellow LED
Polarity protection	yes
Dielectric strength	...
Short-circuit protection	yes
Ambient temperature	-25...+70°C
Ambient moisture	35...95%
Protection degree	IP67
Housing material	Stainless steel
Connection	M12 Connector
Certification	CE



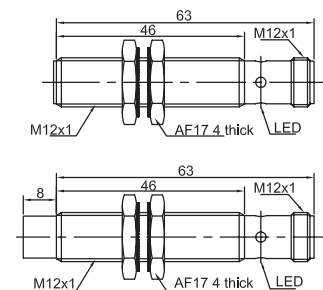
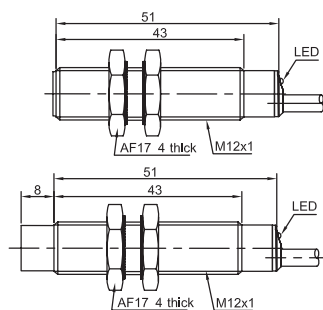
Item Code	LR12X		LR12X	
Mounting	● Quasi-flush	◐ Non-flush	● Quasi-flush	◐ Non-flush
Sensing distance	4mm	8mm	4mm	8mm



Output	NPN NO	LR12XBF04DNOY	LR12XBN08DNOY	LR12XBF04DNOY-E2	LR12XBN08DNOY-E2
	NPN NC	LR12XBF04DNCY	LR12XBN08DNCY	LR12XBF04DNCY-E2	LR12XBN08DNCY-E2
	NPN NO+NC	LR12XBF04DNRY	LR12XBN08DNRY	LR12XBF04DNRY-E2	LR12XBN08DNRY-E2
Output	PNP NO	LR12XBF04DPOY	LR12XBN08DPOY	LR12XBF04DPOY-E2	LR12XBN08DPOY-E2
	PNP NC	LR12XBF04DPCY	LR12XBN08DPCY	LR12XBF04DPCY-E2	LR12XBN08DPCY-E2
	PNP NO+NC	LR12XBF04DPRY	LR12XBN08DPRY	LR12XBF04DPRY-E2	LR12XBN08DPRY-E2

Technical Parameter				
Supply voltage	10...30 VDC	10...30 VDC	10...30 VDC	10...30 VDC
Switch point drift	< ±10% Sr	< ±10% Sr	< ±10% Sr	< ±10% Sr
Load current	<200mA	<200mA	<200mA	<200mA
Voltage drop	<2.5V	<2.5V	<2.5V	<2.5V
Consumption current	<15mA	<15mA	<15mA	<15mA
Hysteresis	1...20%	1...20%	1...20%	1...20%
Repeat accuracy	<3%	<3%	<3%	<3%
Frequency	800Hz	500Hz	800Hz	500Hz
Output indicator	Yellow LED	Yellow LED	Yellow LED	Yellow LED
Polarity protection	yes	yes	yes	yes
Dielectric strength	1000V/AC 50/60Hz 60s	1000V/AC 50/60Hz 60s	1000V/AC 50/60Hz 60s	1000V/AC 50/60Hz 60s
Short-circuit protection	yes	yes	yes	yes
Ambient temperature	-25...+70°C	-25...+70°C	-25...+70°C	-25...+70°C
Ambient moisture	35...95%	35...95%	35...95%	35...95%
Protection degree	IP67	IP67	IP67	IP67
Housing material	Nickel-copper alloy	Nickel-copper alloy	Nickel-copper alloy	Nickel-copper alloy
Connection	2m PVC Cable	2m PVC Cable	M12 Connector	M12 Connector
Certification	CE U <sub>L</sub>	CE U <sub>L</sub>	CE U <sub>L</sub>	CE U <sub>L</sub>

\* Cable material and length can be customized



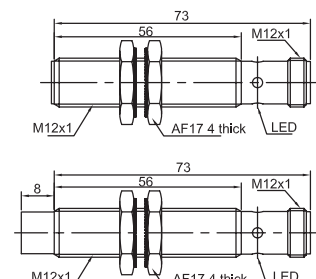
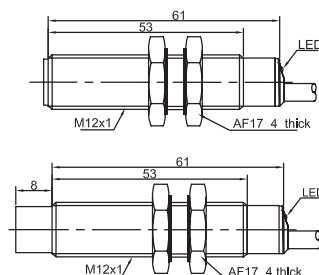
Item Code	LR12X		LR12X	
Mounting	● Quasi-flush	◐ Non-flush	● Quasi-flush	◐ Non-flush
Sensing distance	6mm	10mm	6mm	10mm



Output	NPN NO	LR12XCF06DNOY	LR12XCN10DNOY	LR12XCF06DNOY-E2	LR12XCN10DNOY-E2
	NPN NC	LR12XCF06DNCY	LR12XCN10DNCY	LR12XCF06DNCY-E2	LR12XCN10DNCY-E2
Output	PNP NO	LR12XCF06DPOY	LR12XCN10DPOY	LR12XCF06DPOY-E2	LR12XCN10DPOY-E2
	PNP NC	LR12XCF06DPCY	LR12XCN10DPCY	LR12XCF06DPCY-E2	LR12XCN10DPCY-E2

Technical Parameter				
Supply voltage	10...30 VDC	10...30 VDC	10...30 VDC	10...30 VDC
Switch point drift	< ±10% Sr	< ±10% Sr	< ±10% Sr	< ±10% Sr
Load current	<200mA	<200mA	<200mA	<200mA
Voltage drop	<2.5V	<2.5V	<2.5V	<2.5V
Consumption current	<15mA	<15mA	<15mA	<15mA
Hysteresis	1...20%	1...20%	1...20%	1...20%
Repeat accuracy	<3%	<3%	<3%	<3%
Frequency	500Hz	300Hz	500Hz	300Hz
Output indicator	Yellow LED	Yellow LED	Yellow LED	Yellow LED
Polarity protection	yes	yes	yes	yes
Dielectric strength	1000V/AC 50/60Hz 60s	1000V/AC 50/60Hz 60s	1000V/AC 50/60Hz 60s	1000V/AC 50/60Hz 60s
Short-circuit protection	yes	yes	yes	yes
Ambient temperature	-25...+70°C	-25...+70°C	-25...+70°C	-25...+70°C
Ambient moisture	35...95%	35...95%	35...95%	35...95%
Protection degree	IP67	IP67	IP67	IP67
Housing material	Nickel-copper alloy	Nickel-copper alloy	Nickel-copper alloy	Nickel-copper alloy
Connection	2m PVC Cable	2m PVC Cable	M12 Connector	M12 Connector
Certification	CE U <sub>L</sub>	CE U <sub>L</sub>	CE U <sub>L</sub>	CE U <sub>L</sub>

\* Cable material and length can be customized



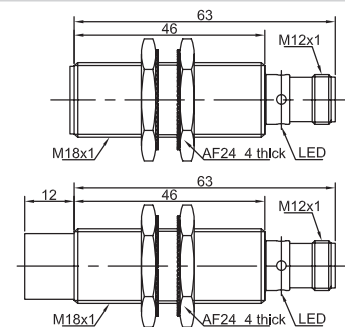
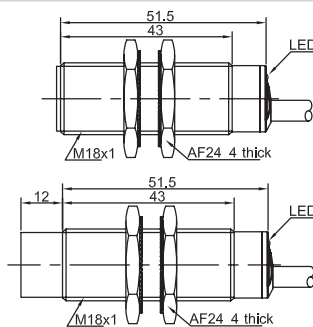
Item Code	LR18X		LR18X	
Mounting	● Quasi-flush	◐ Non-flush	● Quasi-flush	◐ Non-flush
Sensing distance	8mm	12mm	8mm	12mm



Output	NPN NO	LR18XBF08DNOY	LR18XBN12DNOY	LR18XBF08DNOY-E2	LR18XBN12DNOY-E2
	NPN NC	LR18XBF08DNCY	LR18XBN12DNCY	LR18XBF08DNCY-E2	LR18XBN12DNCY-E2
	NPN NO+NC	LR18XBF08DNRY	LR18XBN12DNRY	LR18XBF08DNRY-E2	LR18XBN12DNRY-E2
Output	PNP NO	LR18XBF08DPOY	LR18XBN12DPOY	LR18XBF08DPOY-E2	LR18XBN12DPOY-E2
	PNP NC	LR18XBF08DPCY	LR18XBN12DPCY	LR18XBF08DPCY-E2	LR18XBN12DPCY-E2
	PNP NO+NC	LR18XBF08DPY	LR18XBN12DPY	LR18XBF08DPY-E2	LR18XBN12DPY-E2

Technical Parameter				
Supply voltage	10...30 VDC	10...30 VDC	10...30 VDC	10...30 VDC
Switch point drift	< ±10% Sr	< ±10% Sr	< ±10% Sr	< ±10% Sr
Load current	<200mA	<200mA	<200mA	<200mA
Voltage drop	<2.5V	<2.5V	<2.5V	<2.5V
Consumption current	<15mA	<15mA	<15mA	<15mA
Hysteresis	1...20%	1...20%	1...20%	1...20%
Repeat accuracy	<3%	<3%	<3%	<3%
Frequency	400Hz	200Hz	400Hz	200Hz
Output indicator	Yellow LED	Yellow LED	Yellow LED	Yellow LED
Polarity protection	yes	yes	yes	yes
Dielectric strength	1000V/AC 50/60Hz 60s	1000V/AC 50/60Hz 60s	1000V/AC 50/60Hz 60s	1000V/AC 50/60Hz 60s
Short-circuit protection	yes	yes	yes	yes
Ambient temperature	-25...+70°C	-25...+70°C	-25...+70°C	-25...+70°C
Ambient moisture	35...95%	35...95%	35...95%	35...95%
Protection degree	IP67	IP67	IP67	IP67
Housing material	Nickel-copper alloy	Nickel-copper alloy	Nickel-copper alloy	Nickel-copper alloy
Connection	2m PVC Cable	2m PVC Cable	M12 Connector	M12 Connector
Certification	CE U <sub>L</sub>	CE U <sub>L</sub>	CE U <sub>L</sub>	CE U <sub>L</sub>

\* Cable material and length can be customized





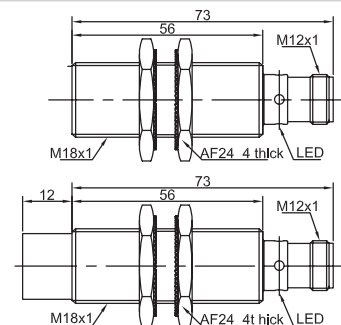
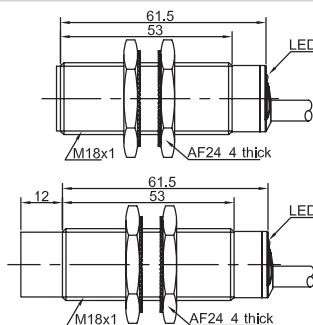
Item Code	LR18X		LR18X	
Mounting	● Quasi-flush	◐ Non-flush	● Quasi-flush	◐ Non-flush
Sensing distance	12mm	20mm	12mm	20mm



Output	NPN NO	LR18XCF12DNOY	LR18XCN20DNOY	LR18XCF12DNOY-E2	LR18XCN20DNOY-E2
	NPN NC	LR18XCF12DNCY	LR18XCN20DNCY	LR18XCF12DNCY-E2	LR18XCN20DNCY-E2
Output	PNP NO	LR18XCF12DPOY	LR18XCN20DPOY	LR18XCF12DPOY-E2	LR18XCN20DPOY-E2
	PNP NC	LR18XCF12DPCY	LR18XCN20DPCY	LR18XCF12DPCY-E2	LR18XCN20DPCY-E2

Technical Parameter				
Supply voltage	10...30 VDC	10...30 VDC	10...30 VDC	10...30 VDC
Switch point drift	< ±10% Sr	< ±10% Sr	< ±10% Sr	< ±10% Sr
Load current	<200mA	<200mA	<200mA	<200mA
Voltage drop	<2.5V	<2.5V	<2.5V	<2.5V
Consumption current	<15mA	<15mA	<15mA	<15mA
Hysteresis	1...20%	1...20%	1...20%	1...20%
Repeat accuracy	<3%	<3%	<3%	<3%
Frequency	300Hz	150Hz	300Hz	150Hz
Output indicator	Yellow LED	Yellow LED	Yellow LED	Yellow LED
Polarity protection	yes	yes	yes	yes
Dielectric strength	1000V/AC 50/60Hz 60s	1000V/AC 50/60Hz 60s	1000V/AC 50/60Hz 60s	1000V/AC 50/60Hz 60s
Short-circuit protection	yes	yes	yes	yes
Ambient temperature	-25...+70°C	-25...+70°C	-25...+70°C	-25...+70°C
Ambient moisture	35...95%	35...95%	35...95%	35...95%
Protection degree	IP67	IP67	IP67	IP67
Housing material	Nickel-copper alloy	Nickel-copper alloy	Nickel-copper alloy	Nickel-copper alloy
Connection	2m PVC Cable	2m PVC Cable	M12 Connector	M12 Connector
Certification	CE U <sub>L</sub>	CE U <sub>L</sub>	CE U <sub>L</sub>	CE U <sub>L</sub>

\* Cable material and length can be customized



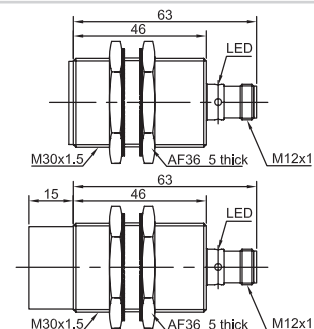
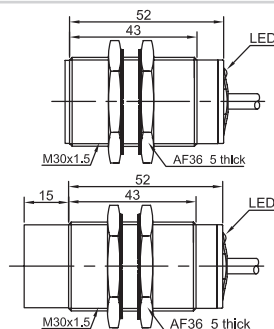
Item Code	LR30X		LR30X	
Mounting	● Quasi-flush	◐ Non-flush	● Quasi-flush	◐ Non-flush
Sensing distance	15mm	22mm	15mm	22mm



Output	NPN NO	LR30XBF15DNOY	LR30XBN22DNOY	LR30XBF15DNOY-E2	LR30XBN22DNOY-E2
	NPN NC	LR30XBF15DNKY	LR30XBN22DNKY	LR30XBF15DNKY-E2	LR30XBN22DNKY-E2
	NPN NO+NC	LR30XBF15DNRY	LR30XBN22DNRY	LR30XBF15DNRY-E2	LR30XBN22DNRY-E2
Output	PNP NO	LR30XBF15DPOY	LR30XBN22DPOY	LR30XBF15DPOY-E2	LR30XBN22DPOY-E2
	PNP NC	LR30XBF15DPCY	LR30XBN22DPCY	LR30XBF15DPCY-E2	LR30XBN22DPCY-E2
	PNP NO+NC	LR30XBF15DPRY	LR30XBN22DPRY	LR30XBF15DPRY-E2	LR30XBN22DPRY-E2

Technical Parameter				
Supply voltage	10...30 VDC	10...30 VDC	10...30 VDC	10...30 VDC
Switch point drift	< ±10% Sr	< ±10% Sr	< ±10% Sr	< ±10% Sr
Load current	<200mA	<200mA	<200mA	<200mA
Voltage drop	<2.5V	<2.5V	<2.5V	<2.5V
Consumption current	<15mA	<15mA	<15mA	<15mA
Hysteresis	1...20%	1...20%	1...20%	1...20%
Repeat accuracy	<3%	<3%	<3%	<3%
Frequency	300Hz	150Hz	300Hz	150Hz
Output indicator	Yellow LED	Yellow LED	Yellow LED	Yellow LED
Polarity protection	yes	yes	yes	yes
Dielectric strength	1000V/AC 50/60Hz 60s	1000V/AC 50/60Hz 60s	1000V/AC 50/60Hz 60s	1000V/AC 50/60Hz 60s
Short-circuit protection	yes	yes	yes	yes
Ambient temperature	-25...+70°C	-25...+70°C	-25...+70°C	-25...+70°C
Ambient moisture	35...95%	35...95%	35...95%	35...95%
Protection degree	IP67	IP67	IP67	IP67
Housing material	Nickel-copper alloy	Nickel-copper alloy	Nickel-copper alloy	Nickel-copper alloy
Connection	2m PVC Cable	2m PVC Cable	M12 Connector	M12 Connector
Certification	CE U <sub>L</sub>	CE U <sub>L</sub>	CE U <sub>L</sub>	CE U <sub>L</sub>

\* Cable material and length can be customized



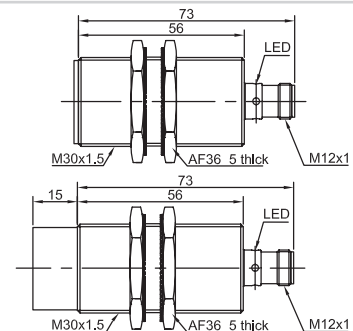
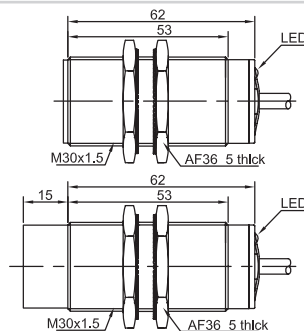
Item Code	LR30X		LR30X	
Mounting	● Quasi-flush	◐ Non-flush	● Quasi-flush	◐ Non-flush
Sensing distance	22mm	40mm	22mm	40mm



Output	NPN NO	LR30XCF22DNOY	LR30XCN40DNOY	LR30XCF22DNOY-E2	LR30XCN40DNOY-E2
	NPN NC	LR30XCF22DNKY	LR30XCN40DNKY	LR30XCF22DNKY-E2	LR30XCN40DNKY-E2
Output	PNP NO	LR30XCF22DPOY	LR30XCN40DPOY	LR30XCF22DPOY-E2	LR30XCN40DPOY-E2
	PNP NC	LR30XCF22DPCY	LR30XCN40DPCY	LR30XCF22DPCY-E2	LR30XCN40DPCY-E2

Technical Parameter				
Supply voltage	10...30 VDC	10...30 VDC	10...30 VDC	10...30 VDC
Switch point drift	< ±10% Sr	< ±10% Sr	< ±10% Sr	< ±10% Sr
Load current	<200mA	<200mA	<200mA	<200mA
Voltage drop	<2.5V	<2.5V	<2.5V	<2.5V
Consumption current	<15mA	<15mA	<15mA	<15mA
Hysteresis	1...20%	1...20%	1...20%	1...20%
Repeat accuracy	<3%	<3%	<3%	<3%
Frequency	100Hz	50Hz	100Hz	50Hz
Output indicator	Yellow LED	Yellow LED	Yellow LED	Yellow LED
Polarity protection	yes	yes	yes	yes
Dielectric strength	1000V/AC 50/60Hz 60s	1000V/AC 50/60Hz 60s	1000V/AC 50/60Hz 60s	1000V/AC 50/60Hz 60s
Short-circuit protection	yes	yes	yes	yes
Ambient temperature	-25...+70°C	-25...+70°C	-25...+70°C	-25...+70°C
Ambient moisture	35...95%	35...95%	35...95%	35...95%
Protection degree	IP67	IP67	IP67	IP67
Housing material	Nickel-copper alloy	Nickel-copper alloy	Nickel-copper alloy	Nickel-copper alloy
Connection	2m PVC Cable	2m PVC Cable	M12 Connector	M12 Connector
Certification	CE U <sub>L</sub>	CE U <sub>L</sub>	CE U <sub>L</sub>	CE U <sub>L</sub>

\* Cable material and length can be customized



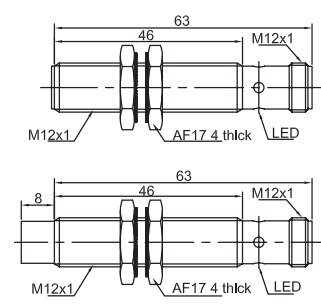
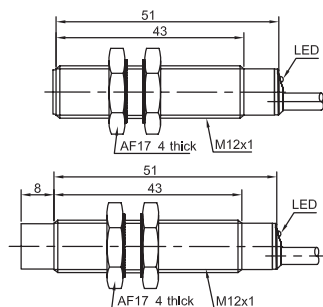
Item Code	LR12X		LR12X	
Mounting	● Quasi-flush	◐ Non-flush	● Quasi-flush	◐ Non-flush
Sensing distance	4mm	8mm	4mm	8mm



Output	DC 2 Wires NO	LR12XBF04DLOY	LR12XBN08DLOY	LR12XBF04DLOY-E2	LR12XBN08DLOY-E2
	DC 2 Wires NC	LR12XBF04DLCY	LR12XBN08DLCY	LR12XBF04DLCY-E2	LR12XBN08DLCY-E2

Technical Parameter				
Supply voltage	10...30 VDC	10...30 VDC	10...30 VDC	10...30 VDC
Switch point drift	< ±10% Sr	< ±10% Sr	< ±10% Sr	< ±10% Sr
Load current	<100mA	<100mA	<100mA	<100mA
Voltage drop	<6V	<6V	<6V	<6V
Leakage current	<1mA	<1mA	<1mA	<1mA
Hysteresis	1...20%	1...20%	1...20%	1...20%
Repeat accuracy	<3%	<3%	<3%	<3%
Frequency	800Hz	500Hz	800Hz	500Hz
Output indicator	Yellow LED	Yellow LED	Yellow LED	Yellow LED
Polarity protection	yes	yes	yes	yes
Dielectric strength	1000V/AC 50/60Hz 60s	1000V/AC 50/60Hz 60s	1000V/AC 50/60Hz 60s	1000V/AC 50/60Hz 60s
Short-circuit protection	yes	yes	yes	yes
Ambient temperature	-25...+70°C	-25...+70°C	-25...+70°C	-25...+70°C
Ambient moisture	35...95%	35...95%	35...95%	35...95%
Protection degree	IP67	IP67	IP67	IP67
Housing material	Nickel-copper alloy	Nickel-copper alloy	Nickel-copper alloy	Nickel-copper alloy
Connection	2m PVC Cable	2m PVC Cable	M12 Connector	M12 Connector
Certification	CE U <sub>L</sub>	CE U <sub>L</sub>	CE U <sub>L</sub>	CE U <sub>L</sub>

\* Cable material and length can be customized



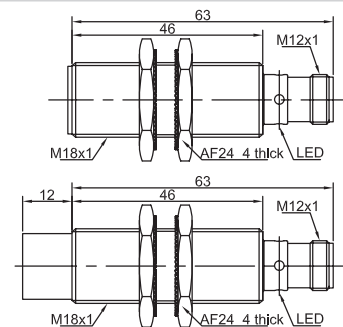
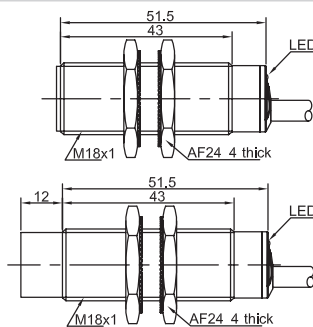
Item Code	LR18X		LR18X	
Mounting	● Quasi-flush	◐ Non-flush	● Quasi-flush	◐ Non-flush
Sensing distance	8mm	12mm	8mm	12mm



Output	DC 2 Wires NO	LR18XBF08DLOY	LR18XBN12DLOY	LR18XBF08DLOY-E2	LR18XBN12DLOY-E2
	DC 2 Wires NC	LR18XBF08DLCY	LR18XBN12DLCY	LR18XBF08DLCY-E2	LR18XBN12DLCY-E2

Technical Parameter				
Supply voltage	10...30 VDC	10...30 VDC	10...30 VDC	10...30 VDC
Switch point drift	< ±10% Sr	< ±10% Sr	< ±10% Sr	< ±10% Sr
Load current	<100mA	<100mA	<100mA	<100mA
Voltage drop	<6V	<6V	<6V	<6V
Leakage current	<1mA	<1mA	<1mA	<1mA
Hysteresis	1...20%	1...20%	1...20%	1...20%
Repeat accuracy	<3%	<3%	<3%	<3%
Frequency	400Hz	200Hz	400Hz	200Hz
Output indicator	Yellow LED	Yellow LED	Yellow LED	Yellow LED
Polarity protection	yes	yes	yes	yes
Dielectric strength	1000V/AC 50/60Hz 60s	1000V/AC 50/60Hz 60s	1000V/AC 50/60Hz 60s	1000V/AC 50/60Hz 60s
Short-circuit protection	yes	yes	yes	yes
Ambient temperature	-25...+70°C	-25...+70°C	-25...+70°C	-25...+70°C
Ambient moisture	35...95%	35...95%	35...95%	35...95%
Protection degree	IP67	IP67	IP67	IP67
Housing material	Nickel-copper alloy	Nickel-copper alloy	Nickel-copper alloy	Nickel-copper alloy
Connection	2m PVC Cable	2m PVC Cable	M12 Connector	M12 Connector
Certification	CE U <sub>L</sub>	CE U <sub>L</sub>	CE U <sub>L</sub>	CE U <sub>L</sub>

\* Cable material and length can be customized



Item Code	LR30X		LR30X	
Mounting	● Quasi-flush	◐ Non-flush	● Quasi-flush	◐ Non-flush
Sensing distance	15mm	22mm	15mm	22mm

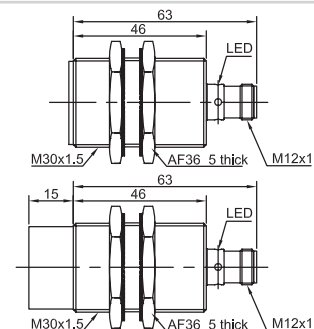
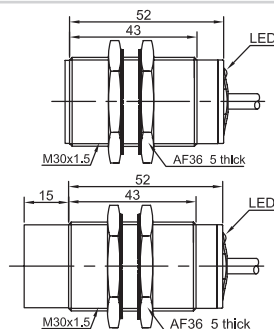


Output	DC 2 Wires NO	LR30XBF15DLOY	LR30XBN22DLOY	LR30XBF15DLOY-E2	LR30XBN22DLOY-E2
	DC 2 Wires NC	LR30XBF15DLCY	LR30XBN22DLCY	LR30XBF15DLCY-E2	LR30XBN22DLCY-E2

### Technical Parameter

Supply voltage	10...30 VDC	10...30 VDC	10...30 VDC	10...30 VDC
Switch point drift	< ±10% Sr	< ±10% Sr	< ±10% Sr	< ±10% Sr
Load current	<100mA	<100mA	<100mA	<100mA
Voltage drop	<6V	<6V	<6V	<6V
Leakage current	<1mA	<1mA	<1mA	<1mA
Hysteresis	1...20%	1...20%	1...20%	1...20%
Repeat accuracy	<3%	<3%	<3%	<3%
Frequency	300Hz	150Hz	300Hz	150Hz
Output indicator	Yellow LED	Yellow LED	Yellow LED	Yellow LED
Polarity protection	yes	yes	yes	yes
Dielectric strength	1000V/AC 50/60Hz 60s	1000V/AC 50/60Hz 60s	1000V/AC 50/60Hz 60s	1000V/AC 50/60Hz 60s
Short-circuit protection	yes	yes	yes	yes
Ambient temperature	-25...+70°C	-25...+70°C	-25...+70°C	-25...+70°C
Ambient moisture	35...95%	35...95%	35...95%	35...95%
Protection degree	IP67	IP67	IP67	IP67
Housing material	Nickel-copper alloy	Nickel-copper alloy	Nickel-copper alloy	Nickel-copper alloy
Connection	2m PVC Cable	2m PVC Cable	M12 Connector	M12 Connector
Certification	CE U <sub>L</sub>	CE U <sub>L</sub>	CE U <sub>L</sub>	CE U <sub>L</sub>

\* Cable material and length can be customized



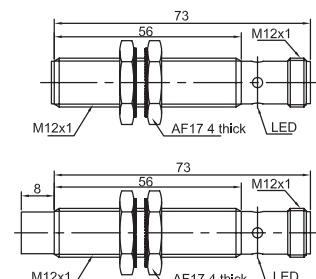
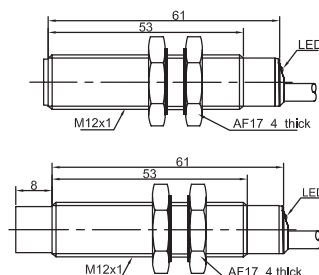
Item Code	LR12X		LR12X	
Mounting	● Quasi-flush	◐ Non-flush	● Quasi-flush	◐ Non-flush
Sensing distance	4mm	8mm	4mm	8mm



Output	AC 2 Wires NO	LR12XCF04ATOY	LR12XCN08ATOY	LR12XCF04ATOY-E2	LR12XCN08ATOY-E2
	AC 2 Wires NC	LR12XCF04ATCY	LR12XCN08ATCY	LR12XCF04ATCY-E2	LR12XCN08ATCY-E2

Technical Parameter				
Supply voltage	20...250 VAC	20...250 VAC	20...250 VAC	20...250 VAC
Switch point drift	< ±10% Sr	< ±10% Sr	< ±10% Sr	< ±10% Sr
Load current	<200mA	<200mA	<200mA	<200mA
Voltage drop	<10V	<10V	<10V	<10V
Leakage current	<3mA	<3mA	<3mA	<3mA
Hysteresis	1...20%	1...20%	1...20%	1...20%
Repeat accuracy	<3%	<3%	<3%	<3%
Frequency	20Hz	20Hz	20Hz	20Hz
Output indicator	Yellow LED	Yellow LED	Yellow LED	Yellow LED
Polarity protection	...	...	...	...
Dielectric strength	2000V/AC 50/60Hz 60s	2000V/AC 50/60Hz 60s	2000V/AC 50/60Hz 60s	2000V/AC 50/60Hz 60s
Short-circuit protection	...	...	...	...
Ambient temperature	-25...+70°C	-25...+70°C	-25...+70°C	-25...+70°C
Ambient moisture	35...95%	35...95%	35...95%	35...95%
Protection degree	IP67	IP67	IP67	IP67
Housing material	Nickel-copper alloy	Nickel-copper alloy	Nickel-copper alloy	Nickel-copper alloy
Connection	2m PVC Cable	2m PVC Cable	M12 Connector	M12 Connector
Certification	CE U <sub>L</sub>	CE U <sub>L</sub>	CE U <sub>L</sub>	CE U <sub>L</sub>

\* Cable material and length can be customized





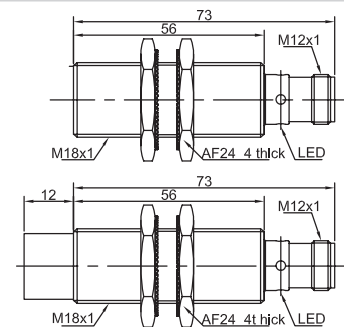
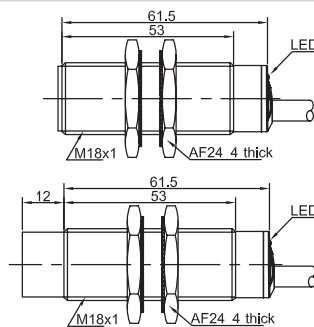
Item Code	LR18X		LR18X	
Mounting	● Quasi-flush	◐ Non-flush	● Quasi-flush	◐ Non-flush
Sensing distance	8mm	12mm	8mm	12mm



Output	AC 2 Wires NO	LR18XCF08ATOY	LR18XCN12ATOY	LR18XCF08ATOY-E2	LR18XCN12ATOY-E2
	AC 2 Wires NC	LR18XCF08ATCY	LR18XCN12ATCY	LR18XCF08ATCY-E2	LR18XCN12ATCY-E2

Technical Parameter				
Supply voltage	20...250 VAC	20...250 VAC	20...250 VAC	20...250 VAC
Switch point drift	< ±10% Sr	< ±10% Sr	< ±10% Sr	< ±10% Sr
Load current	<300mA	<300mA	<300mA	<300mA
Voltage drop	<10V	<10V	<10V	<10V
Leakage current	<3mA	<3mA	<3mA	<3mA
Hysteresis	1...20%	1...20%	1...20%	1...20%
Repeat accuracy	<3%	<3%	<3%	<3%
Frequency	20Hz	20Hz	20Hz	20Hz
Output indicator	Yellow LED	Yellow LED	Yellow LED	Yellow LED
Polarity protection	...	...	...	...
Dielectric strength	2000V/AC 50/60Hz 60s	2000V/AC 50/60Hz 60s	2000V/AC 50/60Hz 60s	2000V/AC 50/60Hz 60s
Short-circuit protection	...	...	...	...
Ambient temperature	-25...+70°C	-25...+70°C	-25...+70°C	-25...+70°C
Ambient moisture	35...95%	35...95%	35...95%	35...95%
Protection degree	IP67	IP67	IP67	IP67
Housing material	Nickel-copper alloy	Nickel-copper alloy	Nickel-copper alloy	Nickel-copper alloy
Connection	2m PVC Cable	2m PVC Cable	M12 Connector	M12 Connector
Certification	CE U <sub>L</sub>	CE U <sub>L</sub>	CE U <sub>L</sub>	CE U <sub>L</sub>

\* Cable material and length can be customized



Item Code	LR30X		LR30X	
Mounting	● Quasi-flush	◐ Non-flush	● Quasi-flush	◐ Non-flush
Sensing distance	15mm	22mm	15mm	22mm

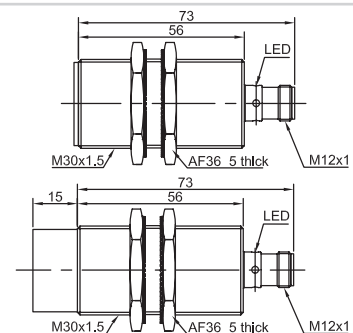
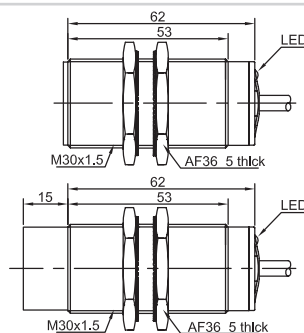


Output	AC 2 Wires NO	LR30XCF15ATOY	LR30XCN22ATOY	LR30XCF15ATOY-E2	LR30XCN22ATOY-E2
	AC 2 Wires NC	LR30XCF15ATCY	LR30XCN22ATCY	LR30XCF15ATCY-E2	LR30XCN22ATCY-E2

### Technical Parameter

Supply voltage	20...250 VAC	20...250 VAC	20...250 VAC	20...250 VAC
Switch point drift	< ±10% Sr	< ±10% Sr	< ±10% Sr	< ±10% Sr
Load current	<300mA	<300mA	<300mA	<300mA
Voltage drop	<10V	<10V	<10V	<10V
Leakage current	<3mA	<3mA	<3mA	<3mA
Hysteresis	1...20%	1...20%	1...20%	1...20%
Repeat accuracy	<3%	<3%	<3%	<3%
Frequency	20Hz	20Hz	20Hz	20Hz
Output indicator	Yellow LED	Yellow LED	Yellow LED	Yellow LED
Polarity protection	...	...	...	...
Dielectric strength	2000V/AC 50/60Hz 60s	2000V/AC 50/60Hz 60s	2000V/AC 50/60Hz 60s	2000V/AC 50/60Hz 60s
Short-circuit protection	...	...	...	...
Ambient temperature	-25...+70°C	-25...+70°C	-25...+70°C	-25...+70°C
Ambient moisture	35...95%	35...95%	35...95%	35...95%
Protection degree	IP67	IP67	IP67	IP67
Housing material	Nickel-copper alloy	Nickel-copper alloy	Nickel-copper alloy	Nickel-copper alloy
Connection	2m PVC Cable	2m PVC Cable	M12 Connector	M12 Connector
Certification	CE U <sub>L</sub>	CE U <sub>L</sub>	CE U <sub>L</sub>	CE U <sub>L</sub>

\* Cable material and length can be customized



Item Code	LR18X		LR18X	
Mounting	● Quasi-flush	◐ Non-flush	● Quasi-flush	◐ Non-flush
Sensing distance	8mm	12mm	8mm	12mm

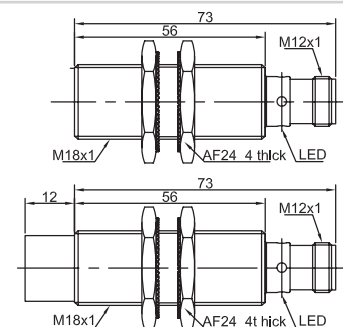
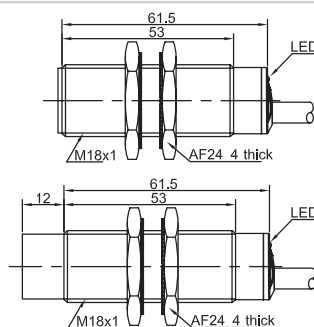


Output	DC/AC 2 Wires NO	LR18XCF08SBOY	LR18XCN12SBOY	LR18XCF08SBOY-E2	LR18XCN12SBOY-E2
	DC/AC 2 Wires NC	LR18XCF08SBCY	LR18XCN12SBCY	LR18XCF08SBCY-E2	LR18XCN12SBCY-E2

### Technical Parameter

Supply voltage	20-250VAC/DC		20-250VAC/DC	
Switch point drift	$\leq \pm 10\% S_r$		$\leq \pm 10\% S_r$	
Load current	AC: <300mA, DC: <100mA		AC: <300mA, DC: <100mA	
Voltage drop	AC:<10V, DC:<8V		AC:<10V, DC:<8V	
Leakage current	AC: <3mA, DC: <1mA		AC: <3mA, DC: <1mA	
Hysteresis	1...20%		1...20%	
Repeat accuracy	<3%		<3%	
Frequency	AC: 20Hz, DC: 400Hz		AC: 20Hz, DC: 400Hz	
Output indicator	Yellow LED	Yellow LED	Yellow LED	Yellow LED
Polarity protection	...	...	...	...
Dielectric strength	2000V/AC 50/60Hz 60s	2000V/AC 50/60Hz 60s	2000V/AC 50/60Hz 60s	2000V/AC 50/60Hz 60s
Short-circuit protection	...	...	...	...
Ambient temperature	-25...+70°C	-25...+70°C	-25...+70°C	-25...+70°C
Ambient moisture	35...95%	35...95%	35...95%	35...95%
Protection degree	IP67	IP67	IP67	IP67
Housing material	Nickel-copper alloy	Nickel-copper alloy	Nickel-copper alloy	Nickel-copper alloy
Connection	2m PVC Cable	2m PVC Cable	M12 Connector	M12 Connector
Certification	CE	CE	CE	CE

\* Cable material and length can be customized



Item Code	LR30X		LR30X	
Mounting	● Quasi-flush	◐ Non-flush	● Quasi-flush	◐ Non-flush
Sensing distance	15mm	22mm	15mm	22mm



Output	DC/AC 2 Wires NO	LR30XCF15SBOY	LR30XCN22SBOY	LR30XCF15SBOY-E2	LR30XCN22SBOY-E2
	DC/AC 2 Wires NC	LR30XCF15SBCY	LR30XCN22SBCY	LR30XCF15SBCY-E2	LR30XCN22SBCY-E2

### Technical Parameter

Supply voltage	20-250VAC/DC		20-250VAC/DC	
Switch point drift	$\leq \pm 10\%$ Sr		$\leq \pm 10\%$ Sr	
Load current	AC: <300mA, DC: <100mA		AC: <300mA, DC: <100mA	
Voltage drop	AC:<10V, DC:<8V		AC:<10V, DC:<8V	
Leakage current	AC: <3mA, DC: <1mA		AC: <3mA, DC: <1mA	
Hysteresis	1...20%		1...20%	
Repeat accuracy	<3%		<3%	
Frequency	AC: 20Hz, DC: 300Hz		AC: 20Hz, DC: 300Hz	
Output indicator	Yellow LED	Yellow LED	Yellow LED	Yellow LED
Polarity protection	...	...	...	...
Dielectric strength	2000V/AC 50/60Hz 60s	2000V/AC 50/60Hz 60s	2000V/AC 50/60Hz 60s	2000V/AC 50/60Hz 60s
Short-circuit protection	...	...	...	...
Ambient temperature	-25...+70°C	-25...+70°C	-25...+70°C	-25...+70°C
Ambient moisture	35...95%	35...95%	35...95%	35...95%
Protection degree	IP67	IP67	IP67	IP67
Housing material	Nickel-copper alloy	Nickel-copper alloy	Nickel-copper alloy	Nickel-copper alloy
Connection	2m PVC Cable	2m PVC Cable	M12 Connector	M12 Connector
Certification	CE	CE	CE	CE

\* Cable material and length can be customized

